

Bright LED

LED Linear Trunking System



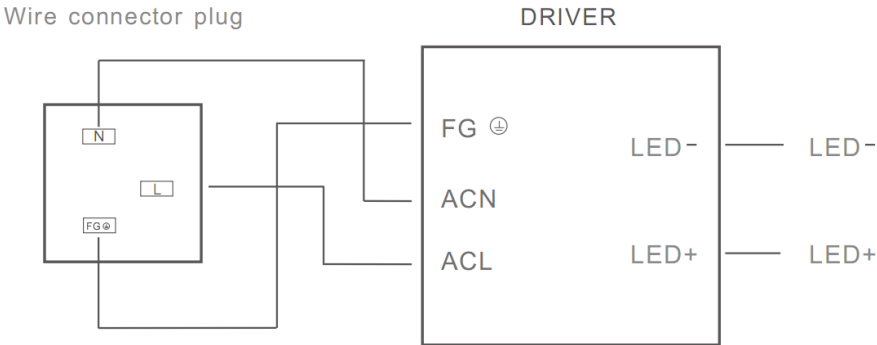
5-Core Linear Trunking System

5-Core System for standard light function, 3-phase optional,
Independent switchable circuits for extremely easy light control

When we face the trunk, the feed-out terminal is in our right hand, then the wire definition is as below;



	1	2	3	4	5
1, Standard function	L1	N	L2	FG	L3

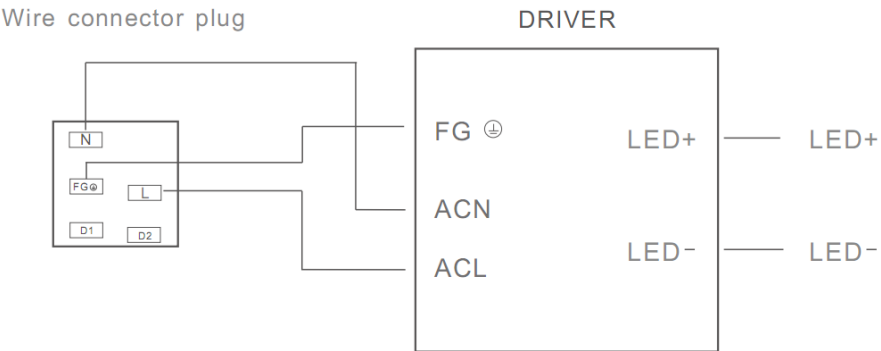


7-Core Linear Trunking System

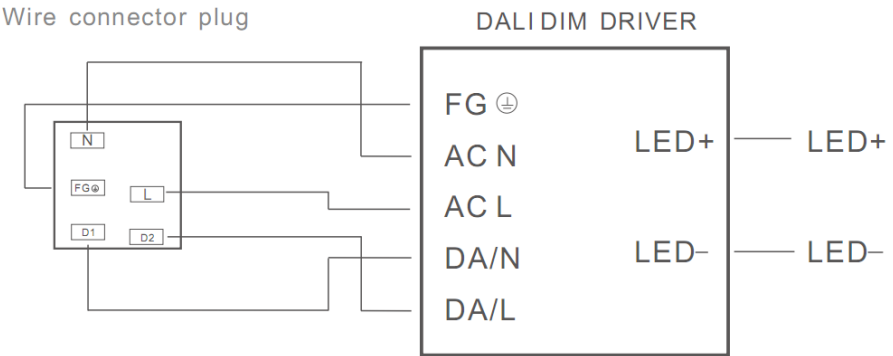
7-Core System for Standard and Dimming function (DALI/1-10V/Switch Dim), can be customized with Battery, Flexible Dimming light control system saves more energy, customized system meets unique lighting requirements.



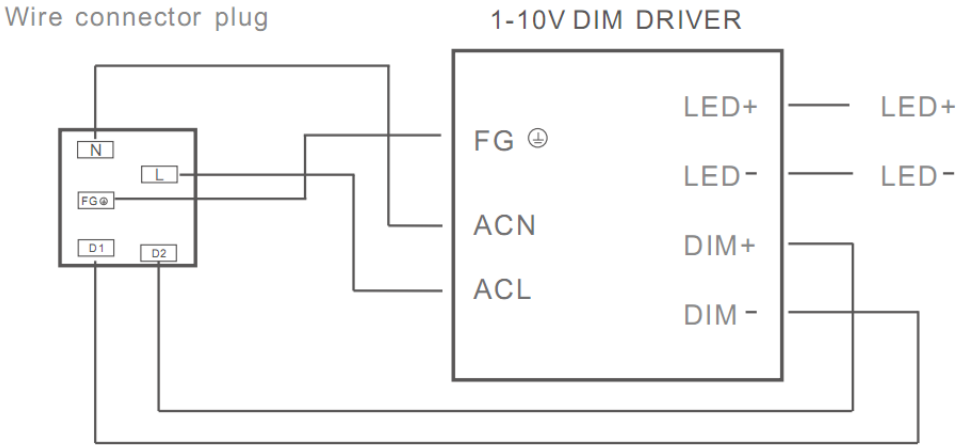
	1	2	3	4	5	6	7
2, Standard function	L1	N	L2	FG	L3		



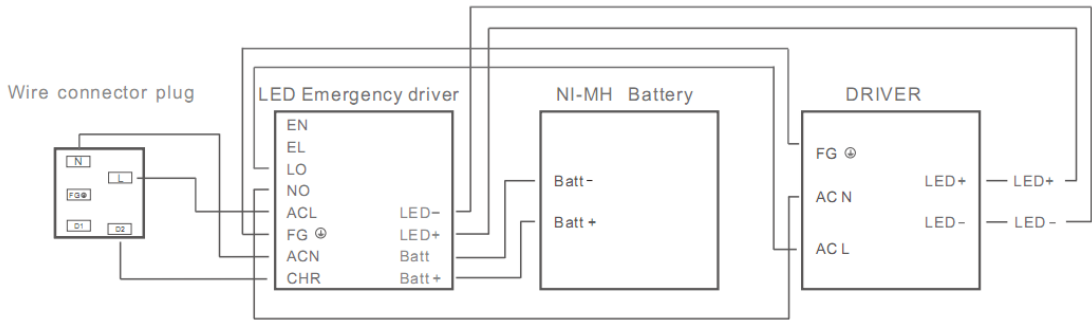
	1	2	3	4	5	6	7
3, Standard function and DALI	L1	N	L2	FG	L3	DA/N	DA/L



	1	2	3	4	5	6	7
4, Standard function and 1-10V	L1	N	L2	FG	L3	DIM-	DIM+



	1	2	3	4	5	6	7
5, Standard Function and Battery	L1	N	L2	FG	L3		CHR



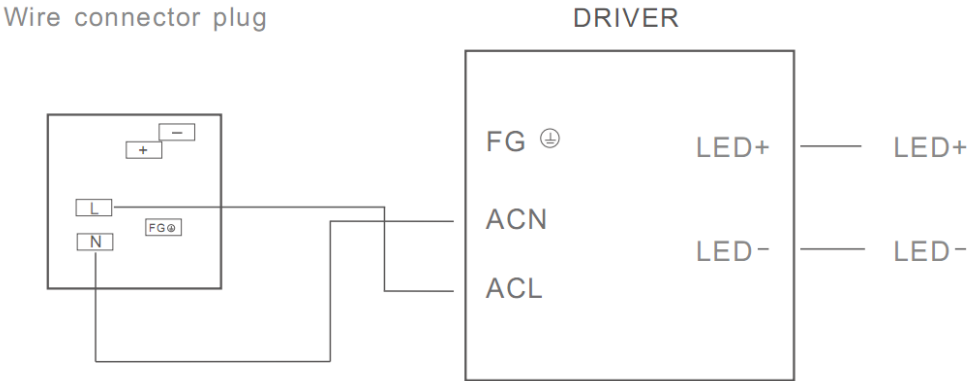
11-Core Linear Trunking System

11-Core System for Standard, Dimming and Emergency function---to the external emergency supply (generator or central battery) or self contained emergency supply (build-in battery). By self contained emergency supply, used for power cuts and emergency situation, optional system and more customized system meets unique lighting requirements



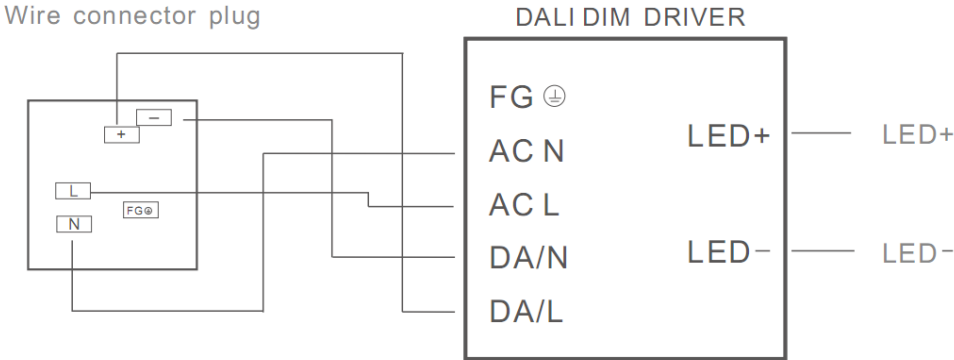
6, Standard Function

	1	2	3	4	5	6	7	8	9	10	11
					L3	L2	L1	FG	N		

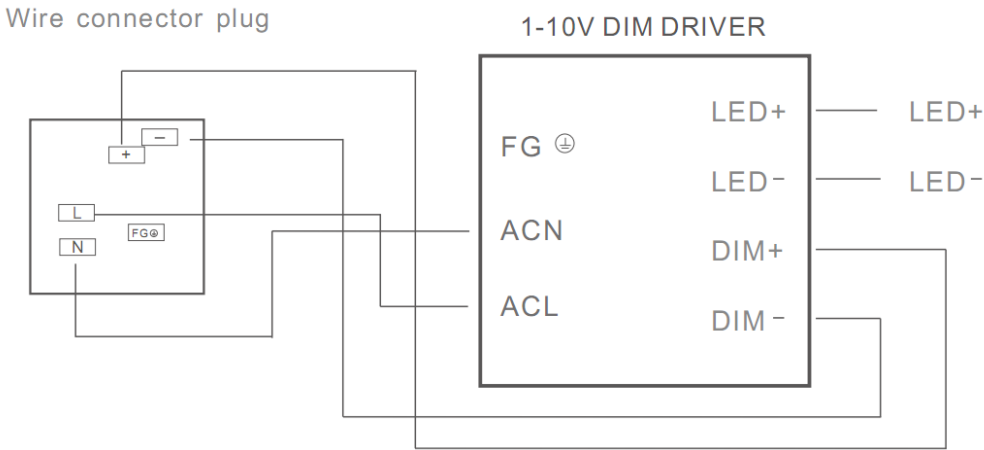


7, Standard Function and DALI

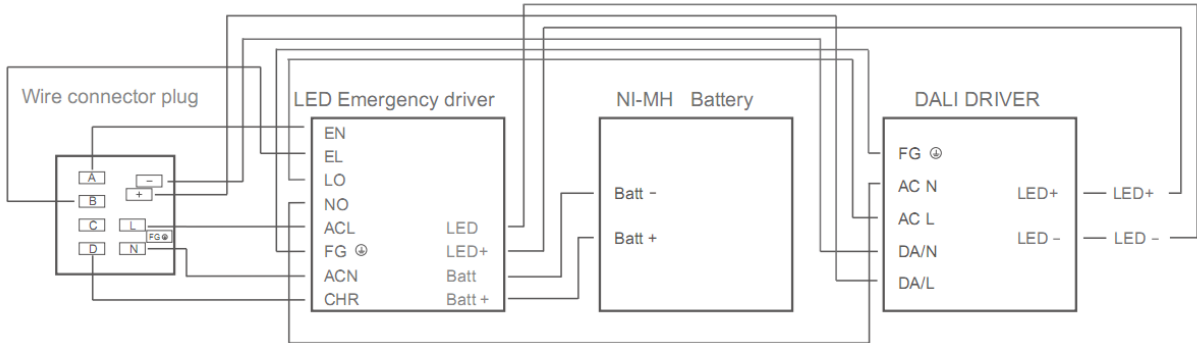
	1	2	3	4	5	6	7	8	9	10	11
			DA/N	DA/L	L3	L2	L1	FG	N		



	1	2	3	4	5	6	7	8	9	10	11
8, Standard Function and 1-10V			DIM-	DIM+	L3	L2	L1	FG	N		

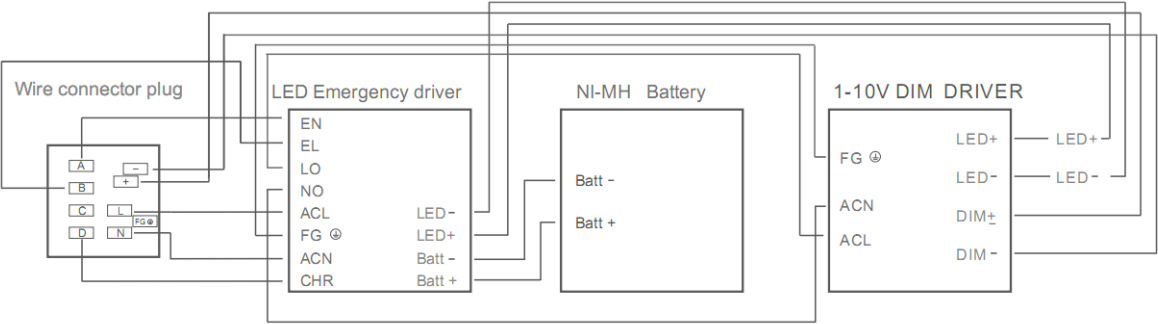


	1	2	3	4	5	6	7	8	9	10	11
9. Standard Function, DALI, Battery and EMG1	EN1	EL1	DA/N	DA/L	L3	L2	L1	FG	N		CHR



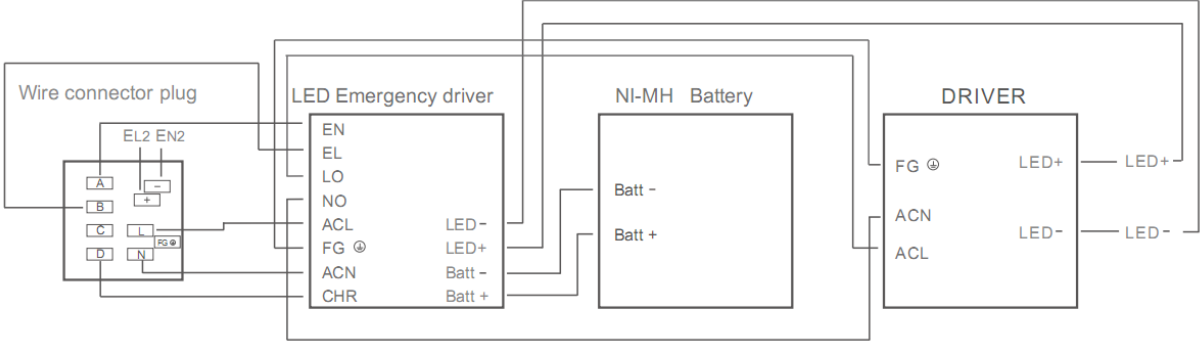
10. Standard Function 1-10V, Battery and EMG1

	1	2	3	4	5	6	7	8	9	10	11
	EN1	EL1	DIM-	DIM+	L3	L2	L1	FG	N		CHR

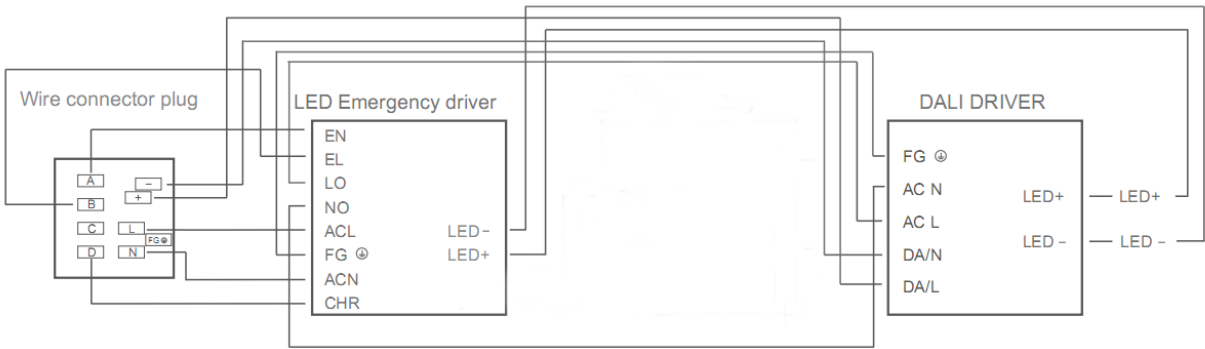


11. Standard Function Battery, EMG1 and EMG2

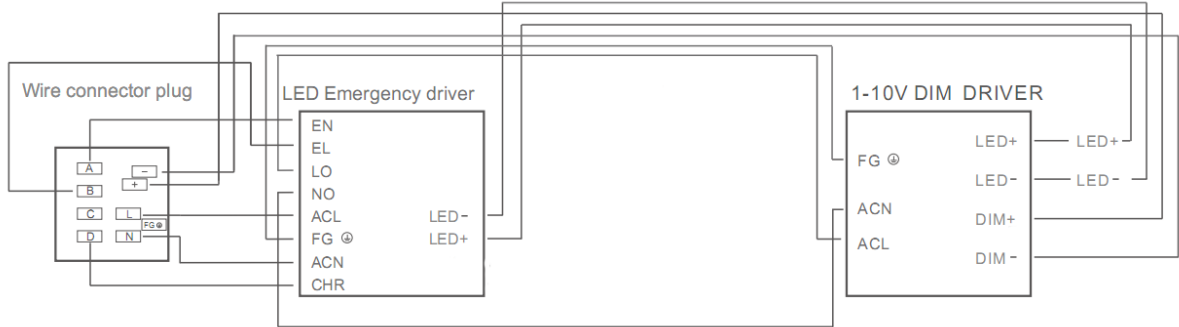
	1	2	3	4	5	6	7	8	9	10	11
	EN1	EL1	EN2	EL2	L3	L2	L1	FG	N		CHR



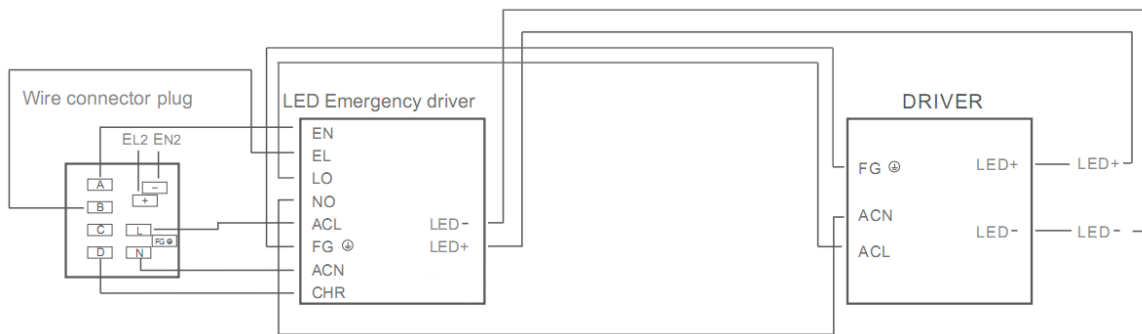
	1	2	3	4	5	6	7	8	9	10	11
12. Standard Function, DALI and EMG1	EN1	EL1	DA/N	DA/L	L3	L2	L1	FG	N		CHR



	1	2	3	4	5	6	7	8	9	10	11
13. Standard Function 1-10V and EMG1	EN1	EL1	DIM-	DIM+	L3	L2	L1	FG	N		CHR



	1	2	3	4	5	6	7	8	9	10	11
14. Standard Function, EMG1 and EMG2	EN1	EL1	EN2	EL2	L3	L2	L1	FG	N		CHR



FG: Groud

EL1: Emergency 1 supply Live

EN1: Emergency 1 supply Neutral

EL2: Emergency 2 supply Live

EN2: Emergency 2 supply Neutral

DIM+: positive of 1-10V input

DIM-: minus of 1-10V input

DA/L: positive of DALI input, or live when work as DIMswitch

DA/N minus of DALI input, or Neutral when work as DIMswitch

CHR: charge input for internal battery, main supply detection when EMG1 or EMG2

Incoming Feeder Model

Electrical cable coming in through the two hole of the trunking rail, for supplementary electrical feed in area of a trunking rail arrangement (5/7/11-core wiring options), Once a trunking rail with power supply, other trunking rail can be connected to it by pre-wired terminal block,

- Emergency module not optional for feeding in trunking rail due to lack of space.
- Cable pipe for concealing power feed in wires

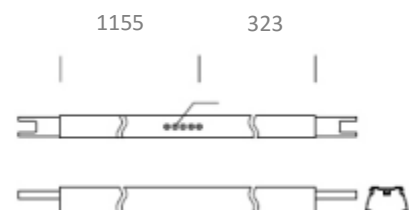
1, Trunking rail for central cable feed in | 1.5m

-Easy installation: pre-wired by Coreshine, with pre-assembled rail connector, wire connector and terminal block, and power cable can easy connect to the cable connector. .

-Each side can connect to other trunking rail electrically

-It keeps light in a line during row-continuous installation

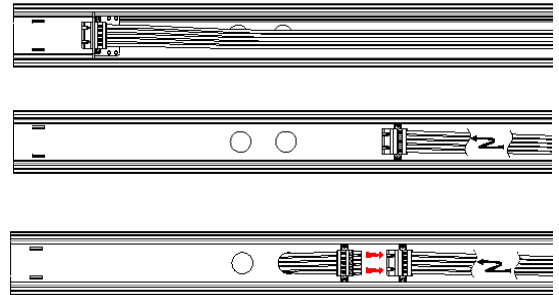
-Standard function can only be used for this trunking rail.



2, Retrofit common Trunking rail for feeding in | 1.5m

People should retrofit the common trunking rail by themselves through 3 steps;

- 1, Release the screw, roll over the male connector
- 2, Using a female connector joint to male connector
- 3, Incoming cable with slot connect to female connector



3, Trunking rail for terminal box feed in

Easy installation: Default feed-in and feed-out connector have been wired, they can connect to the trunking rail directly

A feed-in box has function of feed-in, connection, transfer and so on



4 L-Node connector with feed-in terminal



Easy installation: with a feed-in terminal on the side of L connector, people can easily wiring with the power cable outside of L-Node Connector. When the wiring need to be done at corner, The L-Node connector can perfectly meet the requirement.

5 T-Node connector with feed-in terminal



Easy installation: with a feed-in terminal on the side of T connector, people can easily wiring with the power cable outside of T-Node Connector. When the wiring need to be done at corner, The T-Node connector can perfectly meet the requirement.

6 X-Node connector with feed-in terminal



Easy installation: with a feed-in terminal on the side of X connector, people can easily wiring with the power cable outside of X-Node Connector. When the wiring need to be done at corner, The X-Node connector can perfectly meet the requirement.

BrightLED

BrightLED West
Admiraalsweg 6
2315 SC Leiden, telefoon; +31-71-5892462

BrightLED East
Lenteweg 100
7532 RL Enschede, telefoon; +31-85-4019351